



# Handlebar Dynamic

## Handlebar with variable diameter 28,6—22,2 mm without cross bar and FLEXION CONTROLLER™

The Dynamic handlebar is realized in Ergal 7075T6 to ensure a high degree of resistance without penalizing the elasticity of product. The larger diameter and the presence of **FLEXION CONTROLLER** allow to the rider to choose the best elasticity for himself. If you open totally the Flexion Controller you can have maximum elasticity as a handlebar without cross bar, if you close totally the Flexion Controller you can have the maximum rigidity as a handlebar with cross bar. Moreover between these two positions, you can choose several different intermediate positions to find the best comfort for you according to your training level or track conditions.

Bar pad included



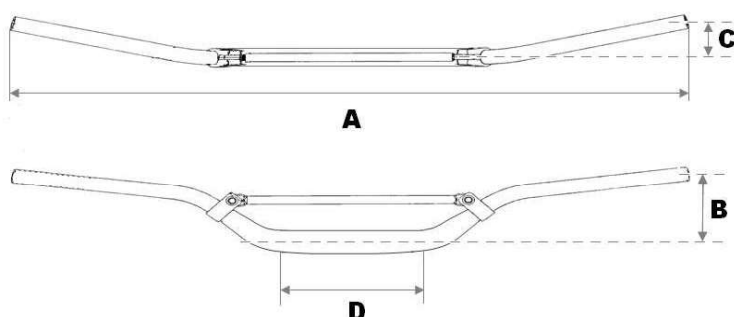
### Flexion Controller™



Patent Pending

Model H501		Model H502		Model H503		Model H504		Model H505	
Colour	Code	Colour	Code	Colour	Code	Colour	Code	Colour	Code
Black	H50100	Black	H50200	Black	H50300	Black	H50400	Black	H50500
Anthracite	H50101	Anthracite	H50201	Anthracite	H50301	Anthracite	H50401	Anthracite	H50501
Silver	H50102	Silver	H50202	Silver	H50302	Silver	H50402	Silver	H50502
Gold	H50103	Gold	H50203	Gold	H50303	Gold	H50403	Gold	H50503
Red	H50104	Red	H50204	Red	H50304	Red	H50404	Red	H50504
Blue	H50105	Blue	H50205	Blue	H50305	Blue	H50405	Blue	H50505
Orange	H50106	Orange	H50206	Orange	H50306	Orange	H50406	Orange	H50506

## Technical Data



Material	: Ergal 7075
Treatment	: T6
Diameter mm	: variable 28,6 –22,2
Cross bar	: Flexion Controller
Weight gr	: 875
Finishing	: Anodizing
Bar pad	: Yes

Model	A	B	C	D
H501	805	104	40	130
H502	797	115	46	130
H503	790	100	51	130
H504	807	86	46	130
H505	805	91	55	130

**Dynamic**  
evolution handlebars